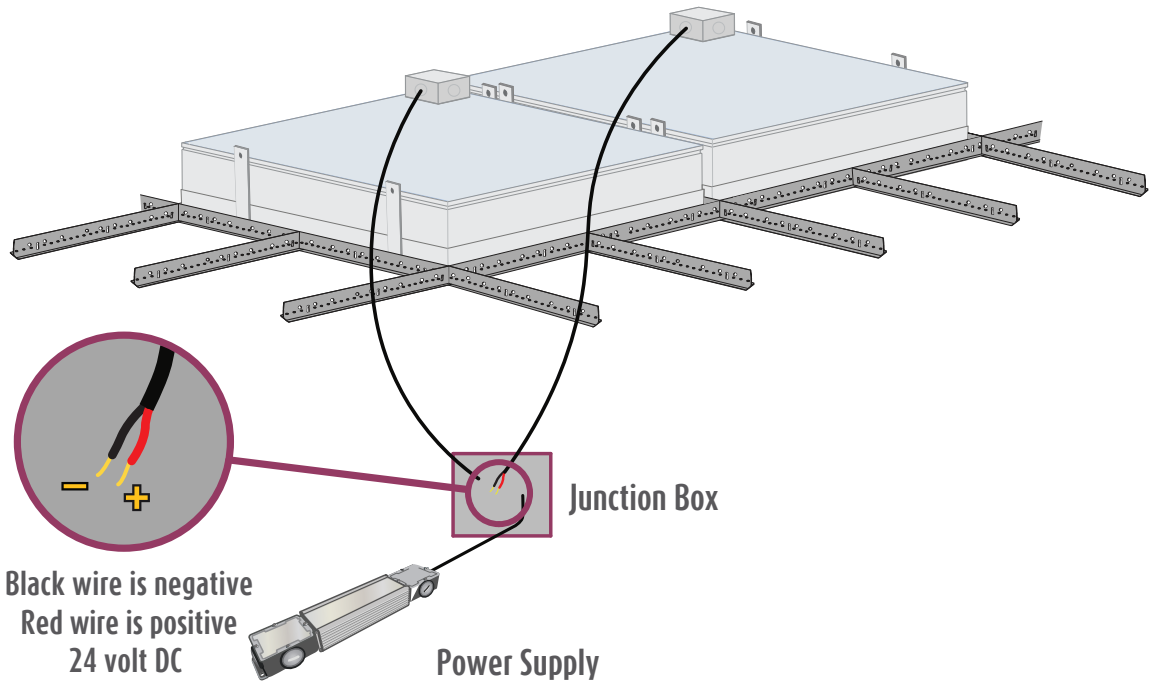


Revelation w/ EcoPlus Electrical Instructions (HLG)



Installation Instructions includes:

Revelation w/ EcoPlus Electrical Instructions (HLG)

Wiring Diagram EL001180

Wire Sizing Chart

Installation specific wiring diagram (where applicable)

For technical support at any time during the installation, please call us **toll free at 866-759-3228**.
We want your installation to go as smoothly as possible. Thank you for choosing The Sky Factory.

Revelation w/ EcoPlus Electrical Requirements:

EP26 Series = EP26, EP26M, EP26G

EP33 Series = EP33, EP33M, EP33G

EP34 Series = EP34, EP34M, EP34G

EP36 Series = EP36, EP36M, EP36G

EP44 Series = EP44, EP44M, EP44G

NOTE: For custom sizes, see installation specific wiring diagram included (where applicable)

All EcoPlus fixtures are 24V DC only.

EcoPlus fixtures must be powered only by provided UL Recognized, CE Compliant 24V DC power supply

Dry locations only.

For installations with multiple power supplies, see

installation specific wiring diagram included (where applicable)

For installations with one or more custom sizes, see

installation specific wiring diagram included (where applicable)

For dimming requirements, see page 5.

RF filter, if used, is not provided by The Sky Factory.

Electrical work must be performed by a qualified electrician who is familiar with DC lighting systems and must conform to all local and national codes.

Sky Factory provided external dimmable power supply:

Input (Typ) 90-305V, 47 - 63 Hz

Output 24V DC

UL (U.S. and Canada) Recognized and CE Compliant

Surface mountable

HLG-80H only:

Class 2, UL8750 Listed and CE compliant

Junction box on both input and output ends

Junction box wiring access holes limited to 1/2" nominal trade size conduit

Suitable for dry/damp/wet locations

Sky Factory provided dimmer control (where specified)

Lutron Diva DVSTV 0 - 10V sliding dimmer/switch (UL & CSA compliant)

Input: auto-ranging 120 - 277V AC

Lutron Lyneo preset 0 - 10V sliding dimmer/switch and external relay (CE compliant):

Input: 220 - 240V AC

Step 1: Wiring the Revelation fixtures to the power supply

See supporting drawing and chart on pages 6-7 and installation specific wiring diagram included (where applicable)

EcoPlus Lighting System - EP26 to EP44 Series				
TSF Model No.	Light Box Dimensions and Weight Only		System Wattage (Max)	Input Current @ 24 Volts DC
	WxLxH	Weight		
EP26	22.8125 x 34.8125 x 5.85 (inches)	15.9 lb	69.1	2.88A
EP33	34.8125 x 34.8125 x 5.85 (inches)	12.6 lb	51.8	2.16A
EP34	34.8125 x 46.8125 x 5.85 (inches)	15.9 lb	69.1	2.88A
EP36	34.8125 x 70.8125 x 5.85 (inches)	22 lb	103.7	4.32A
EP44	46.8125 x 46.8125 x 5.85 (inches)	19.9 lb	92.2	3.84A
EP26M	57 x 177 x 14.86 (cm)	7.3 kg	69.1	2.88A
EP33M	87 x 87 x 14.86 (cm)	5.8 kg	51.8	2.16A
EP34M	87 x 117 x 14.86 (cm)	7.3 kg	69.1	2.88A
EP36M	87 x 177 x 14.86 (cm)	10 kg	103.7	4.32A
EP44M	117 x 117 x 14.86 (cm)	9.1 kg	92.2	3.84A
EP26G	59.5 x 184.5 x 14.86 (cm)	7.3 kg	69.1	2.88A
EP33G	90.8 x 90.8 x 14.86 (cm)	5.8 kg	51.8	2.16A
EP34G	90.8 x 122 x 14.86 (cm)	7.3 kg	69.1	2.88A
EP36G	90.8 x 184.5 x 14.86 (cm)	10 kg	103.7	4.32A
EP44G	122 x 122 x 14.86 (cm)	9.1 kg	92.2	3.84A

NOTE: For custom sizes, see also installation specific wiring diagram included (where applicable)



Notice: The LED fixtures are 24V DC ONLY.

AC voltage connected directly to the fixtures
will destroy the lighting system.

Step 1 continued

Fixtures are wired together in single or multiple circuits.

Each circuit is dedicated to a single power system and may be arranged in rows or clusters, depending on installation.

A junction box with 1/2" trade size knock-outs is attached on top corner of each fixture.

- Power leads inside fixture junction box are polarized, red (+) and black (-).
- Wire size 18 AWG stranded.

Wiring from fixtures to V DC side of provided power supply is polarized, positive (+) to positive (+) and negative (-) to negative (-):

EcoPlus fixture red "+" to power supply **Vo+** [sheathed in **RED**]

EcoPlus fixture black "-" to power supply **Vo-** [sheathed in **BLACK**]

For power supply V DC wire size, see EL001180

Wire and additional junction boxes from the fixtures to the power supply provided by others.

Voltage drop will occur over long distances. For appropriate lengths and gauges, see Wire Sizing Chart.

Wire gauge must conform to local and national codes.

Step 2: Wiring the power supply to source V AC

Run power to V AC side of the power supply. For power supply V AC wire size, see EL001180

Line to power supply **ACL** [sheathed in **BLACK**]

Neutral to power supply **ACN** [sheathed in **WHITE**]

Ground to power supply  (**GREEN/YELLOW**)

Wire gauge must conform to local and national codes.

Install the power switch on the V AC input side of the power supply.

Step 3: Dimming requirements

Contact the Sky Factory if you plan on using a dimming system provided by others.



Notice: Dimming using non-approved systems may permanently damage LED's and will void the warranty!

Wiring a Sky Factory provided dimmer control:

To wire the 0-10V dimmer control (and external relay where specified), refer to wiring diagram included with dimmer and relay and EL001180.

Power system **DIM+** sheathed in **GRAY**

Power system **DIM-** sheathed in **BLACK**

Step 4: Checking the polarity



Notice: CHECK THE POLARITY BEFORE TURNING ON POWER. MAKE SURE:

Red wires on the fixtures go to the "+" terminals of the power supply

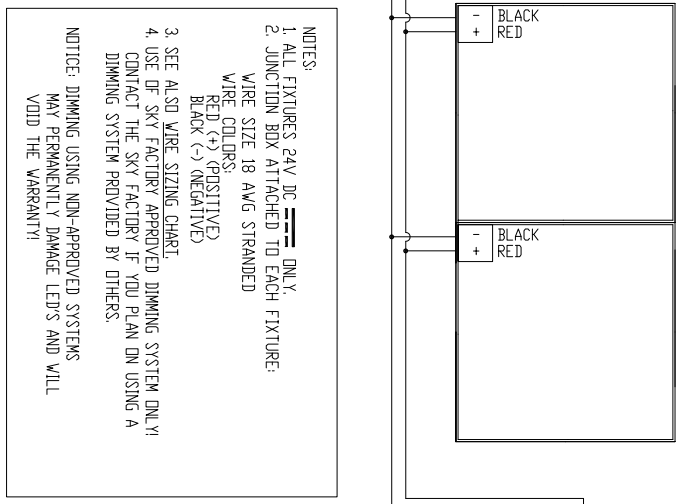
Black wires on the fixtures go to the "-" terminals of the power supply

IF THE SYSTEM IS WIRED BACKWARD, IT WILL DESTROY THE LED'S!

EP AND ES SERIES FIXTURES
WITH HLG POWER SUPPLY
DIMMING OPTION

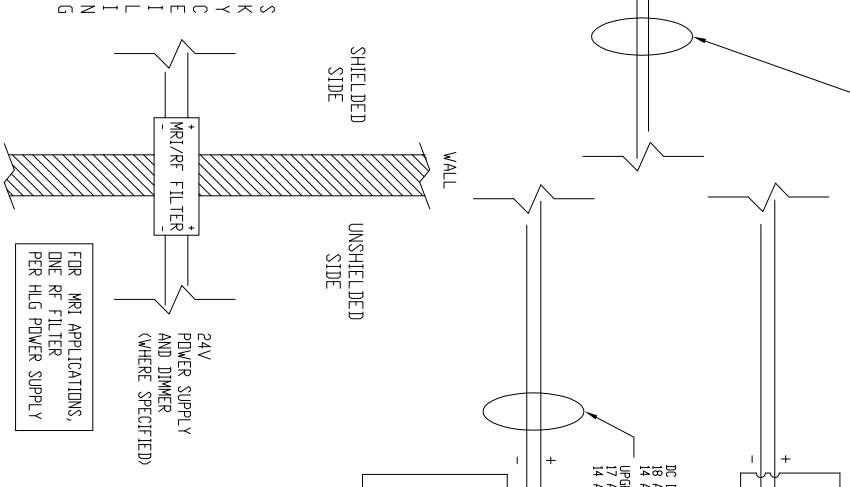
ECOPLUS
EP22 SERIES, EP24 SERIES,
EP26 SERIES, EP33 SERIES,
EP34 SERIES, EP36 SERIES
AND EP44 SERIES

ECOSLIM
ES22 SERIES, ES24 SERIES,
ES26 SERIES, ES33 SERIES,
ES34 SERIES, ES36 SERIES
AND ES44 SERIES

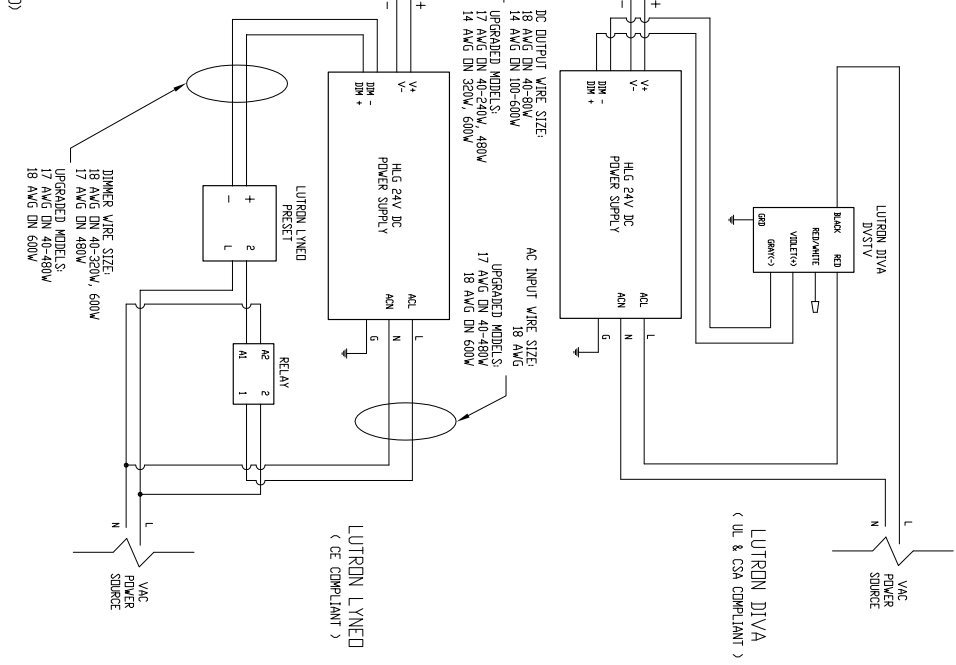


NOTES:
1. ALL FIXTURES 24V DC ONLY.
2. JUNCTION BOX ATTACHED TO EACH FIXTURE;
WIRE SIZE 18 AWG STRANDED
WIRE COLORS:
RED (+) (POSITIVE)
BLACK (-) (NEGATIVE)
3. SEE ALSO WIRE SIZING CHART
4. USE OF SKY FACTORY APPROVED DIMMING SYSTEM ONLY!
CONTACT THE SKY FACTORY IF YOU PLAN ON USING A
DIMMING SYSTEM PROVIDED BY OTHERS.
NOTICE: DIMMING USING NON-APPROVED SYSTEMS
MAY PERMANENTLY DAMAGE LED'S AND WILL
VOID THE WARRANTY!

WIRE AND JUNCTION BOXES
SUPPLIED BY OTHERS



FOR MRI APPLICATIONS,
ONE RF FILTER
PER HLG POWER SUPPLY



<p>Sky Factory MULTI-MEDIA COMMUNICATIONS CORPORATION 10000 WILLOW CREEK DRIVE SUITE 100 DALLAS, TX 75243 TEL: 972.412.2200 WWW.SKYFACTORY.COM</p>	<p>PROJECT: EL001180</p> <p>DATE: 10/24/2018</p> <p>SCALE: NOT DIMENSIONAL</p> <p>REV: 1</p>
---	--

Wire Sizing Chart

This chart is a guideline for recommended wiring practice.

Applies to 24V DC power only, i.e. from “fixture to power supply.”

Not meant for “V AC to power supply” nor “dimmer to power supply.”

Wire sizes in AWG Conversion chart below.

Distance: Feet (Meters)	AWG for 5A	AWG for 10A	AWG for 15A
20 (6)	18	14	12
30 (9)	16	12	10
40 (12)	14	10	10
50 (15)	12	10	*
60 (18)	12	10	*
80 (24)	10	*	*
100 (30)	10	*	*

* Terminal block wire range #10 - #22 Awg.

AWG	MM
10	6.271
11	5.156
12	3.302
13	2.629
14	2.088
15	1.652
16	1.308
17	1.039
18	0.823